



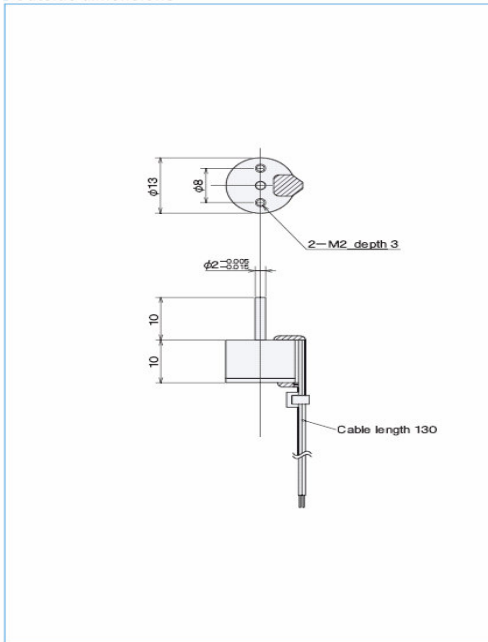
İMAJ TEKNİK
ELEKTRİK ELEKTRONİK MALZ. SAN. VE TİC. LTD. ŞTİ.

SES-10 series

[Approximate Sine Wave/Incremental]



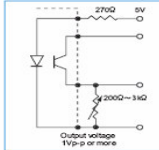
Outside dimensions



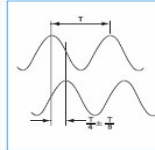
Specifications

Item	Type name	SES - 10 - <input type="checkbox"/> <input type="checkbox"/>
		Pulse number Output phase #A #A = single phase #AB #AB = two-phase
Supply voltage		DC5V ±10%
Current consumption		30mA (LED: maximum 20mA)
Detection system		Incremental
Output pulse number (Standard)		100
	[Pulse number/rotation]	200
Output phase		A phase, A, B phase
Output form		Approximate sine wave
Output capacity		—
Maximum response frequency (response pulse number)		20kHz
Output phase difference		A, B phase difference 90°±45°
Waveform rise/fall time		—
Starting torque		0.3 × 10 ⁻³ N·m (3gf·cm) or less
Allowable load of shaft (electrical)	Radial	1.9N (200gf)
	Thrust	1.9N (200gf)
Maximum allowable revolutions (mechanical)		6000r/min
Working ambient temperature/ humidity		0°C~50°C
Storing ambient temperature		-20°C~80°C
Vibration resistance		Durability 55Hz, double amplitude 1.5mm 2 hours each in X, Y, and Z directions
Impact resistance		Durability 500m/s ² (about 50G) 3 times each in X, Y, and Z directions
Cable		Vinyl wire (AWG30) 130mm
Mass		10g

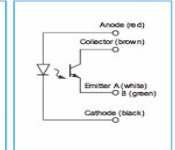
Connection example



Output waveform



Output circuit diagram



İmaj Teknik Elektrik Elektronik San. ve Tic. Ltd. Şti.

EMEKYEMEZ MAH.TUTSAK SOK. NO: 16/13-14-15

**KARAKOY/İSTANBUL
TURKEY**

Telefon : +90 212 235 9535 / 36
Fax : +90 212 235 9537

www.imajteknik.com
www.imajteknik.com.tr

İMAJTEKNIK LTD ŞTİ